

IQView8 Display



OVERVIEW

IQView8 is the next step towards making energy management as simple and accessible as possible. Its enhanced design and intuitive display means that users will be able to access and act upon energy management information that is displayed – thereby saving on energy and money.

To make informed energy management decisions building occupants require local environmental information and the means to take appropriate actions.

With IQView8 this information is now available to everyone.



building occupants



facilities manager



building engineer

The IQView8 is a touchscreen display which provides an interface to the Trend Building Energy Management system. It enables the user to view and adjust operating times, monitor alarms, make adjustments to controller parameters and display graphs of logged data.

FEATURES & BENEFITS

Display of Graphics & Schematics

- Better information means fewer complaints from staff
- Visibility leads to energy savings
- One interface for building occupant or technician
- Quicker diagnosis of problems reduces energy waste

Familiar touchscreen interface

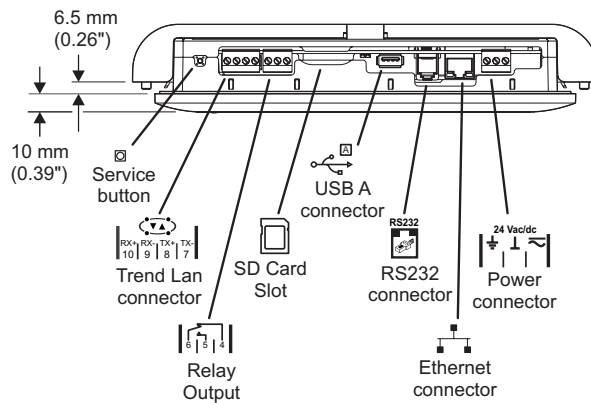
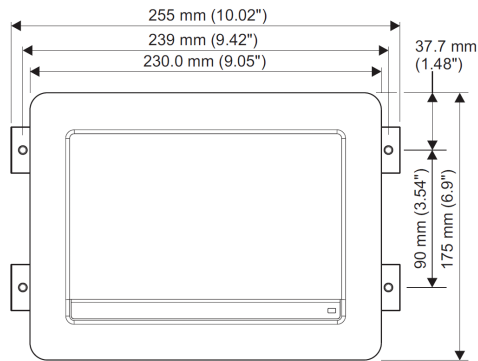
- Minimal training
- Attractive modern design
- Visible indication of a commitment to energy efficiency
- Fast navigation
- Little or no training required

Alarm Monitoring

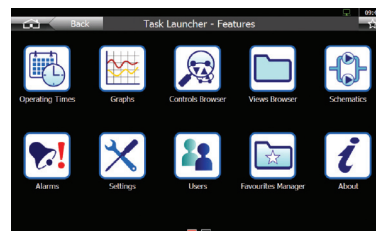
- Rapid resolution of problems
- Reduced downtime
- Minimises energy waste
- Audible alarm prompts response when display is out of sight

iQ VIEW8

DIMENSIONS



The unit is panel mountable with surface and embedded mounting options available enabling the IQView8 to be mounted in a way that is suitable for its environment and use.



The IQView8 has an 8" 800 x 480 pixel high colour (16 Bit) LCD transmissive touchscreen display.

The backlight is LED with autodim. The autodim function enables the screen brightness to be reduced after a user definable backlight delay time, and then fully off when not in use as part of its advanced energy savings.

ORDER CODE	DESCRIPTION
IQVIEW8/24	IQView8 including 2GB memory card.
IQVIEW8 SURFACE MOUNTING BOX	Kit for mounting IQView8 on a flat surface or double UK or USA pattress box.
IQVIEW8 DRY PARTITION WALL BOX	Kit for mounting IQView8 embedded in a dry partition wall.
CABLE/EJ105650	RJ11 plug to RJ11 plug with crossover to connect to IQ4, IQ3, IQ2xx, and IQ1xx controllers with RJ11 local supervisor port connector.
CABLE/EJ105651	RJ11 to 25 way D type male to connect to IQ1xx controllers with RJ11 local supervisor port connector and to a CNC.
CABLE/78-1172	25 way D type female to 5 in-line socket adaptor to connect to IQ1xx controllers with 5 in-line local supervisor port connector. Should be used in conjunction with CABLE/EJ105651).
ACC/24VAC	230/24 Vac, 36 VA, transformer for IQView8 with surface mounting lugs, and through earth (ground) connection.